

CATALOG SUPPLEMENT 497

WITH

NEW PARTS & ASSEMBLIES

FIRST USED ON



 *Williams* ELECTRONICS, INC.

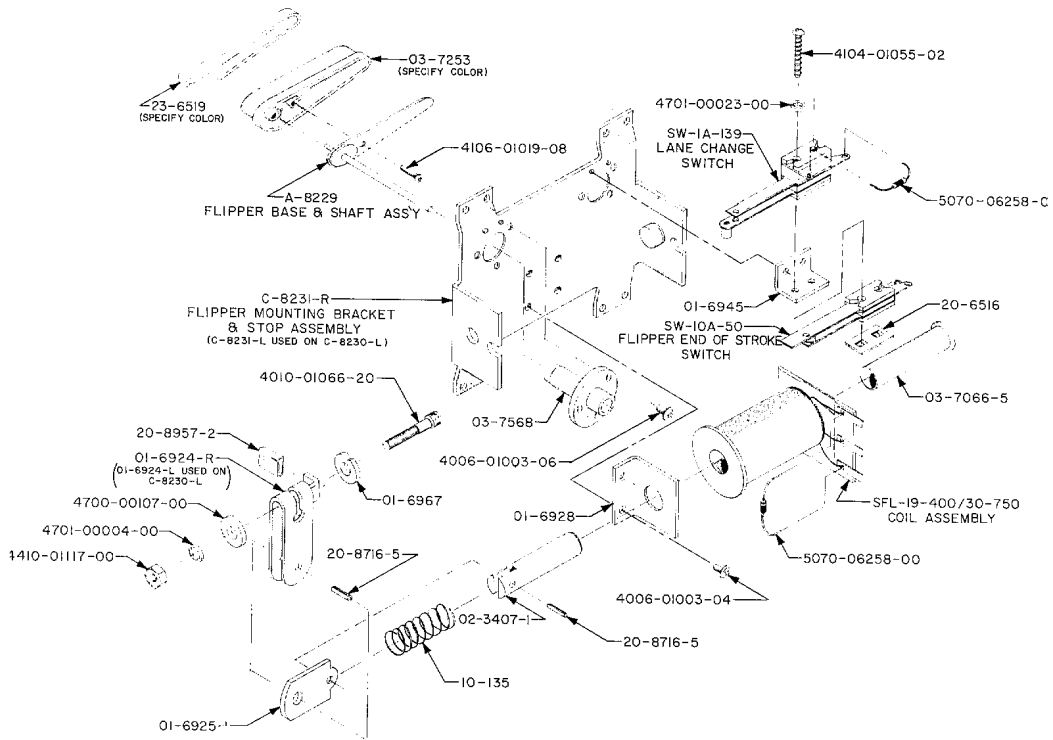
AN XCOR INTERNATIONAL, INC. COMPANY

3401 N. California Ave
(312) 267-2240

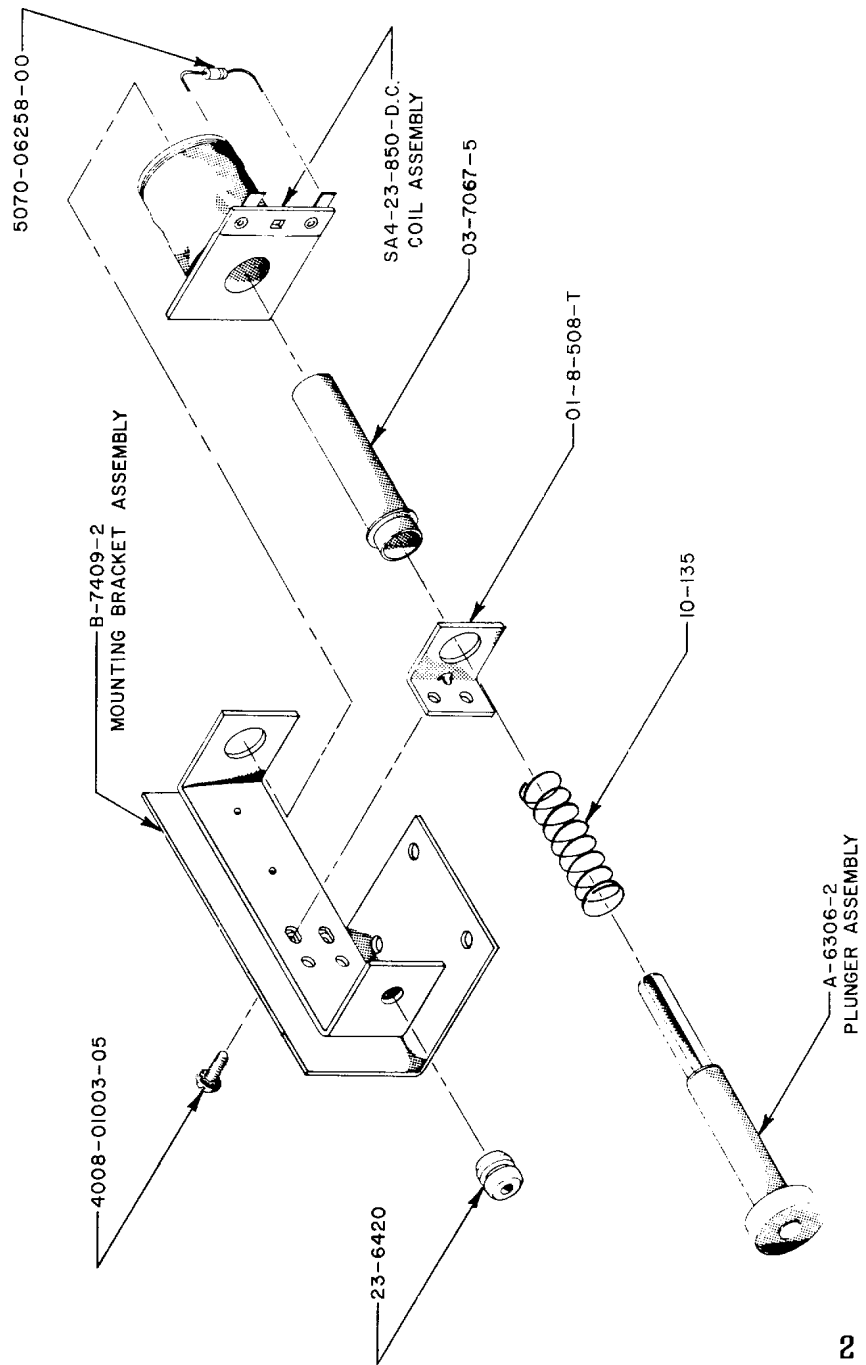
MAY
1980

Chicago, Ill. 60618, U.S.A.
Cable Address: Wilcoin

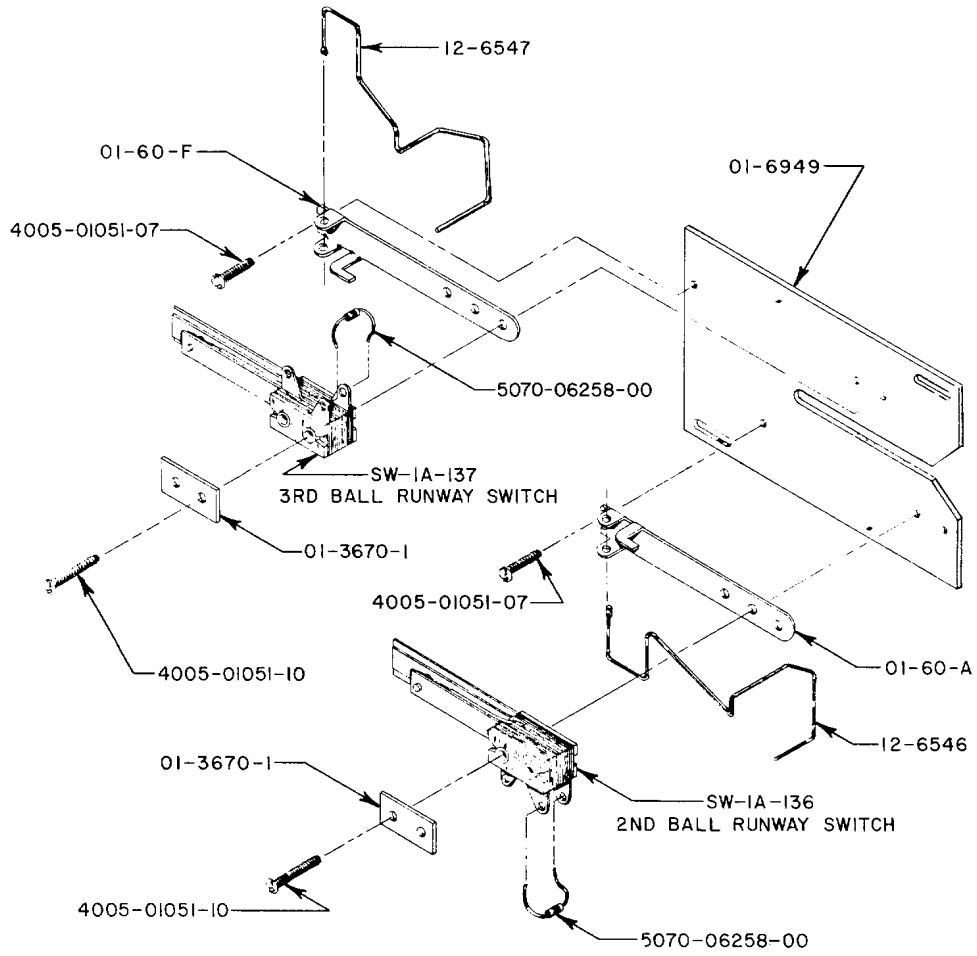
C-8270
 FLIPPER ASSEMBLY / LANE CHANGE
 C-8230-L FLIPPER ASSEMBLY IS SIMILAR TO C-8270 BUT,
 IS THE LEFT HAND ASSEMBLY.
 C-8230-L (LEFT ASSEMBLY) & C-8230-R (RIGHT ASSEMBLY-POSITIONED
 COMPARABLE TO C-8270) DO NOT REQUIRE SWITCH
 SW-1A-139 & USE 4104-01055-09 IN PLACE OF 4104-01055-02



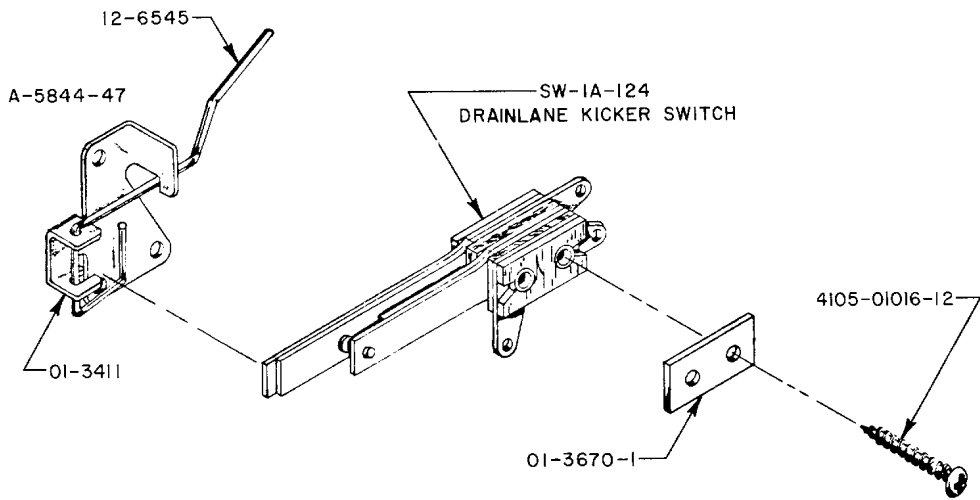
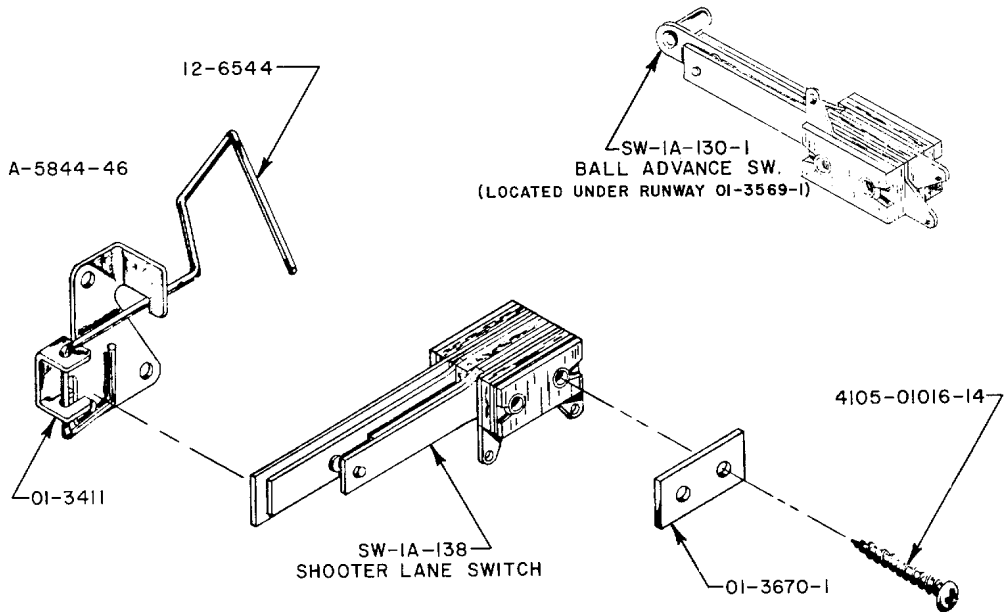
A-6376-3
DRAINLANE KICKER ASSEMBLY
(LOCATED BELOW THE BOTTOM ARCH)



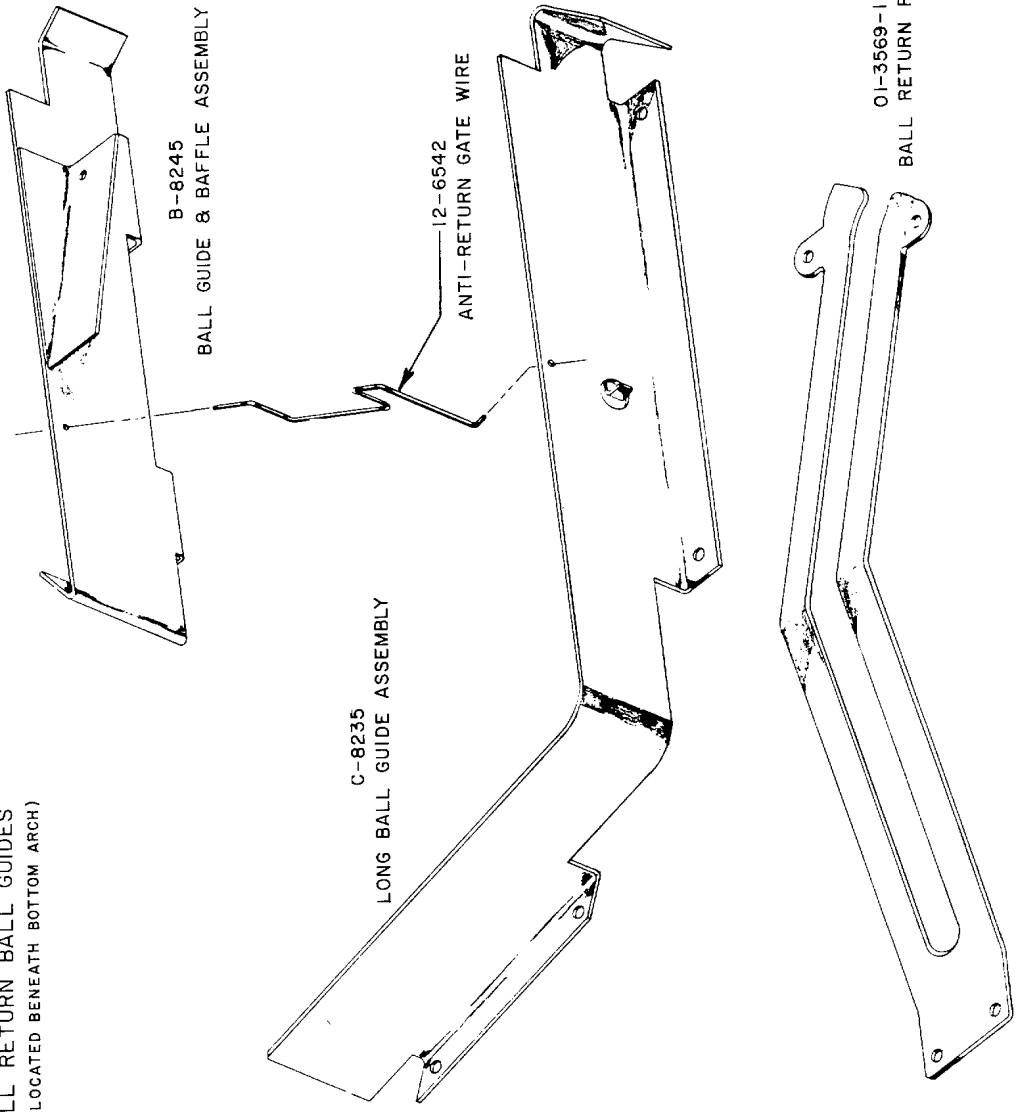
A-8250
RUNWAY SWITCH & BRACKET ASSEMBLY
(LOCATED BELOW BALL RETURN RUNWAY)



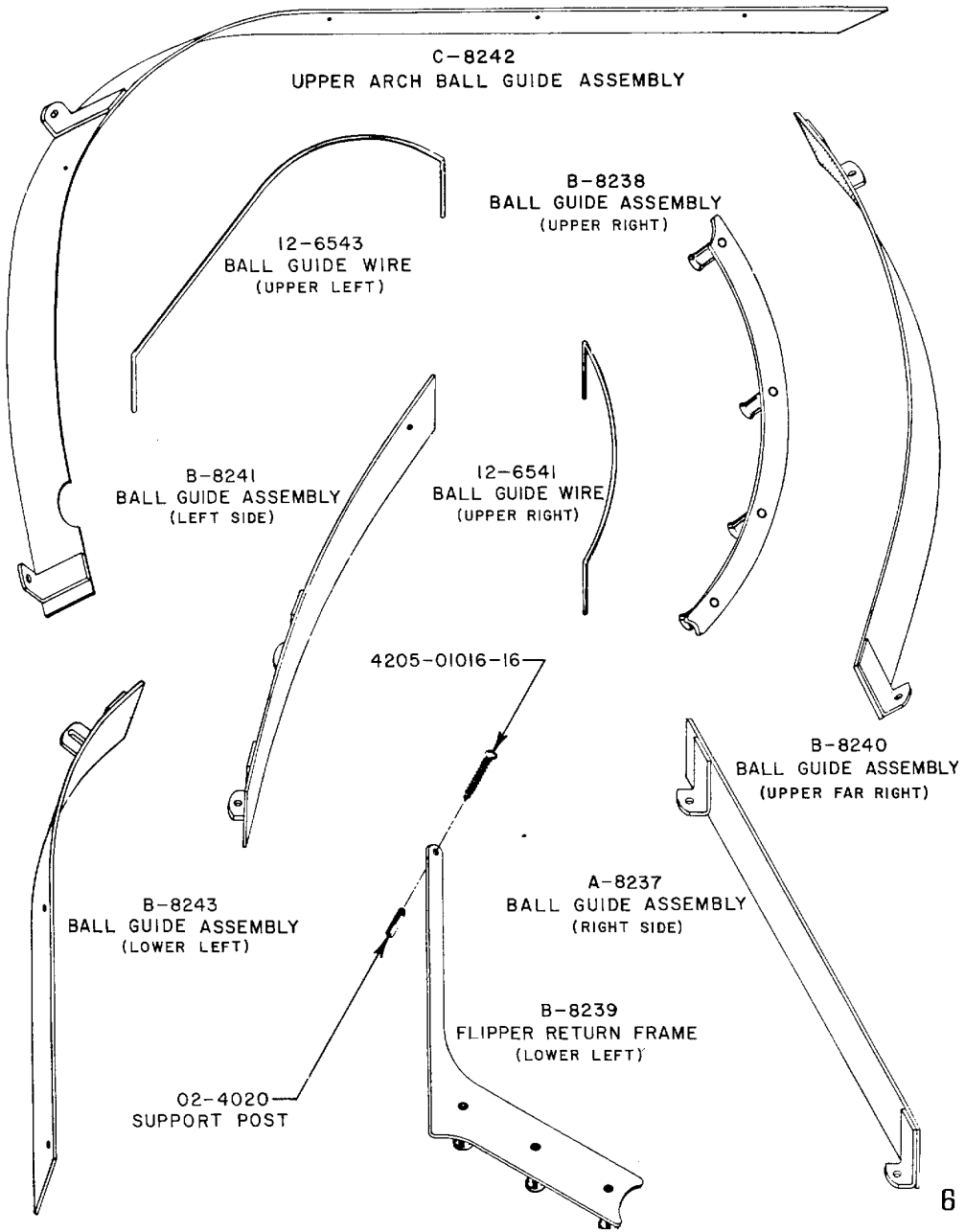
SWITCHES & RELATED PARTS



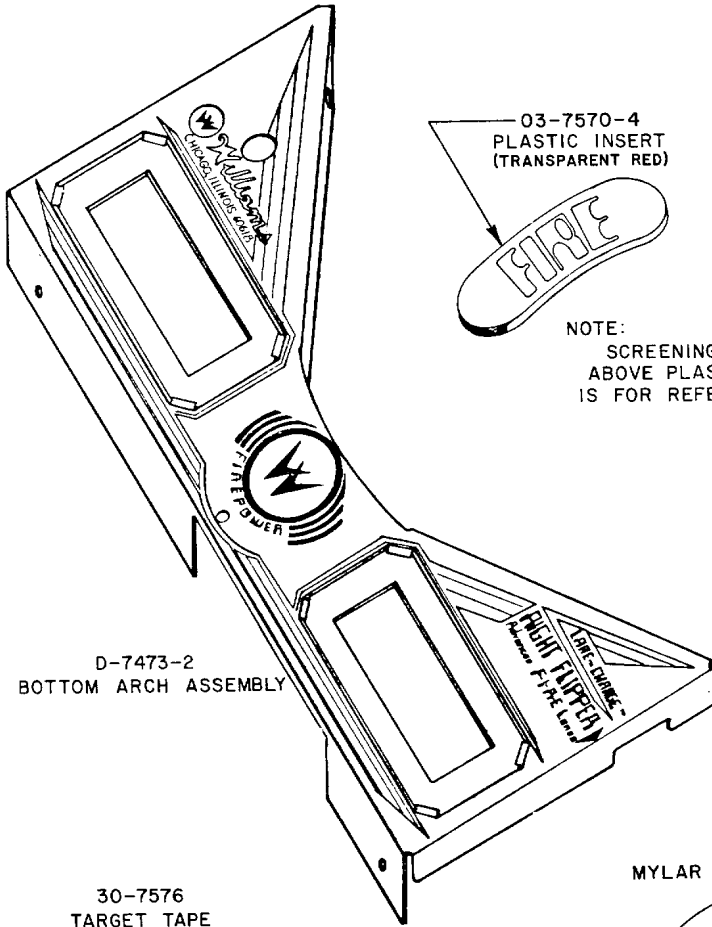
□ BALL RETURN BALL GUIDES
(LOCATED BENEATH BOTTOM ARCH)



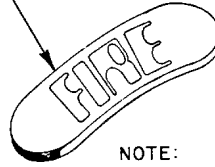
PLAYFIELD BALL GUIDES
(METAL TYPE)



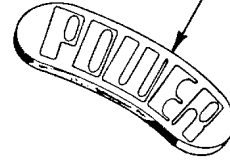
PLASTIC & SCREENED PLAYFIELD PARTS



03-7570-4
PLASTIC INSERT
(TRANSPARENT RED)



03-7570-1
PLASTIC INSERT
(TRANSPARENT BLUE)



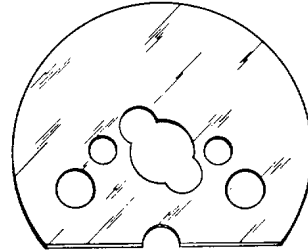
NOTE:
SCREENING SHOWN ON
ABOVE PLASTIC INSERTS
IS FOR REFERENCE ONLY.

30-7576
TARGET TAPE



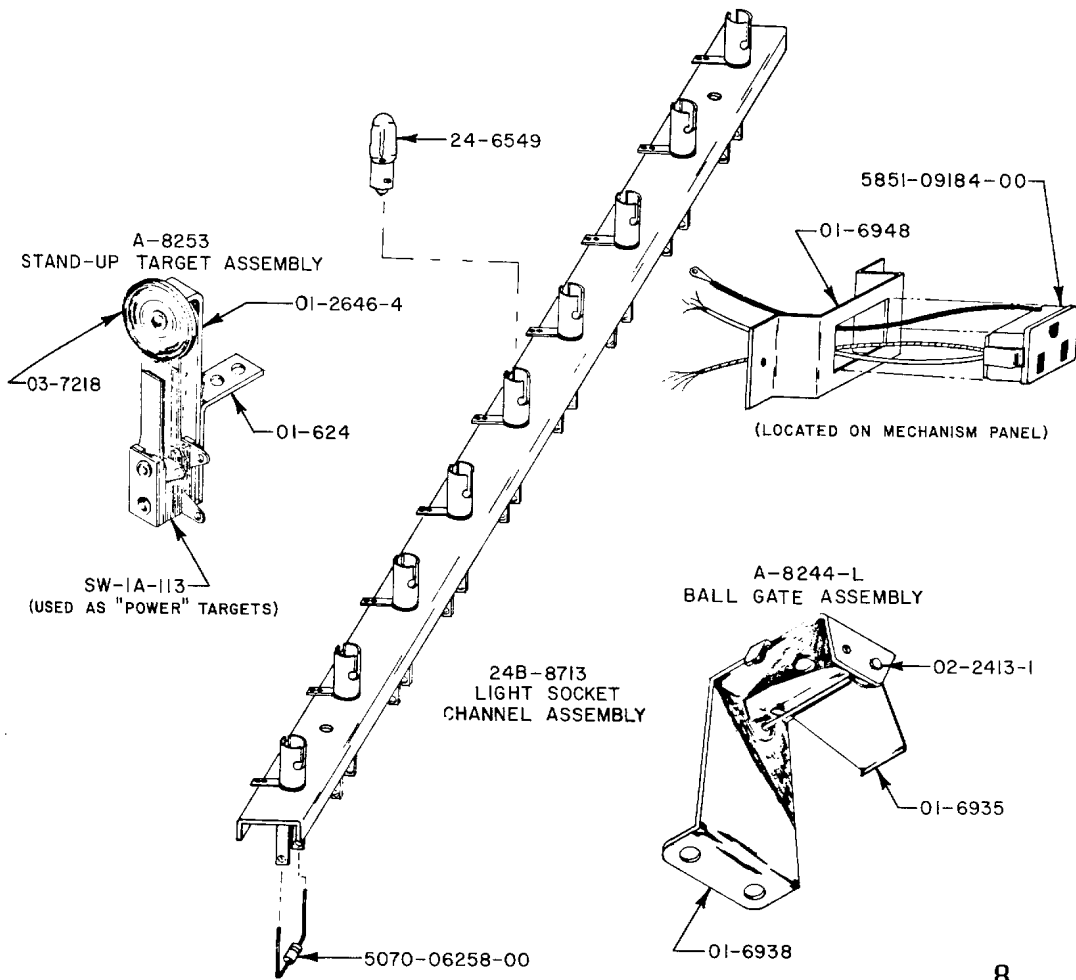
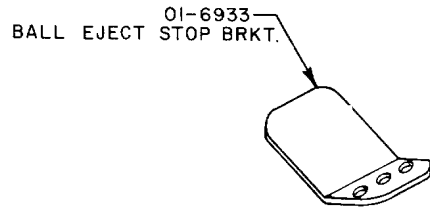
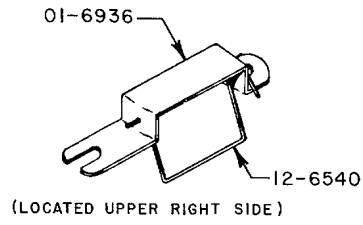
(USED ON THE 6
CENTER TARGET
ASSEMBLIES)

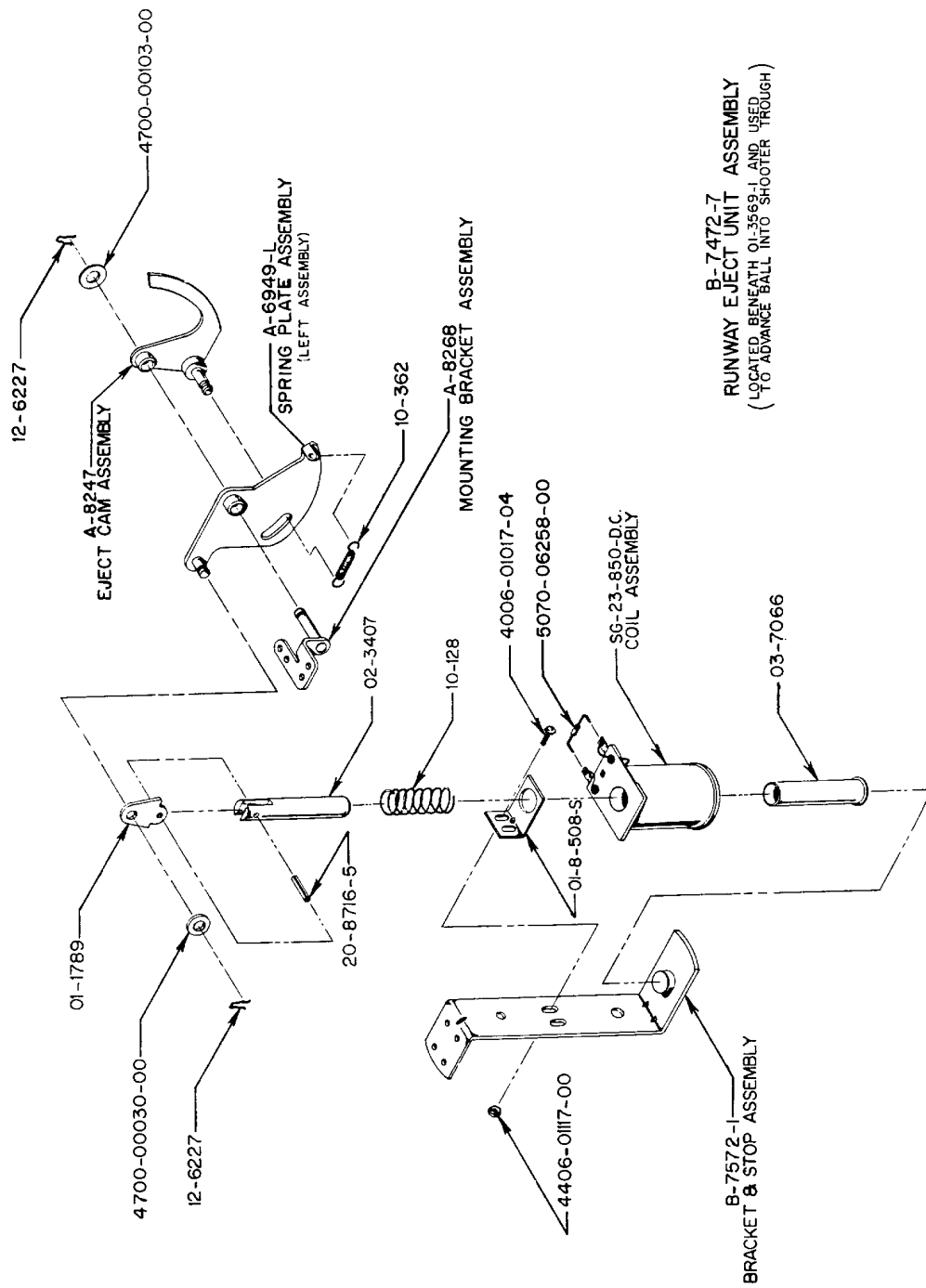
03-7371-2
MYLAR JET BUMPER SHIELD



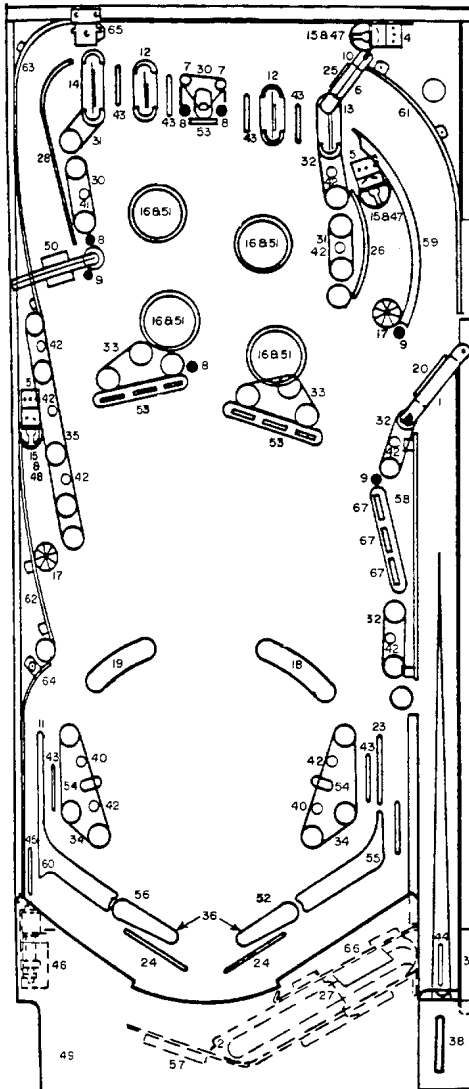
(USED WITH THE TWO
FORWARD JET
BUMPER ASSEMBLIES)

MISCELLANEOUS PLAYFIELD PARTS





MULTI-BALL FIREPOWER



- | | | |
|----|--------------|---|
| 1 | 1A-3206 | SHOOTER LANE BALL GATE BRACKET |
| 2 | 1B-3569-1 | BALL RETURN RUNWAY |
| 3 | 1A-3575 | BALL RELEASE STRIKE PLATE |
| 4 | 1A-6793 | EJECT HOLE BALL DEFLECTOR |
| 5 | 1A-6933 | EJECT HOLE BALL DEFLECTOR (2 USED) |
| 6 | 1A-6936 | UPPER RIGHT BALL GATE BRACKET |
| 7 | 2A-3180 | UPPER PLAYFIELD POST - 3 1/16" LONG
(2 USED) |
| 8 | 2A-3905 | RUBBER BUMPER POST (4 USED) |
| 9 | 2A-4003 | RUBBER BUMPER POST (3 USED) |
| 10 | 2A-4008 | RUBBER BUMPER POST |
| 11 | 2A-4020 | SUPPORT POST |
| 12 | 3A-7034-9 | PLASTIC LIGHT HOOD - 2 1/8" LONG
DOUBLE SIDED (2 USED) |
| 13 | 3A-7037-9 | PLASTIC LIGHT HOOD - 2 1/8" LONG
SINGLE SIDED |
| 14 | 3A-7120-9 | PLASTIC LIGHT HOOD - 3 1/8" LONG
SINGLE SIDED |
| 15 | 3B-7351-1 | EJECT HOLE SHIELD (3 USED) |
| 16 | 3B-7444-3-16 | JET BUMPER CAP (4 USED) |
| 17 | 3A-7537-5 | STAR ROLLOVER BUTTON (2 USED) |
| 18 | 3A-7540-1 | PLAYFIELD PLASTIC INSERT - TRANSP. BLUE |
| 19 | 3A-7540-4 | PLAYFIELD PLASTIC INSERT - TRANSP. RED |
| 20 | 12A-6460 | SHOOTER LANE BALL GATE WIRE |
| 21 | 12B-6466-2A | GALL GUIDE WIRE - 5/8" LONG |
| 22 | 12B-6466-3A | BALL GUIDE WIRE - 7/8" LONG |
| 23 | 12B-6466-12 | BALL GUIDE WIRE - 3" LONG |
| 24 | 12A-6468 | ANTI-RETURN BALL GUIDE WIRE - 3 1/8" LONG
(2 USED) |
| 25 | 12A-6540 | UPPER RIGHT BALL GATE WIRE |
| 26 | 12A-6541 | UPPER RIGHT BALL GUIDE WIRE |
| 27 | 12A-6542 | BALL RETURN GATE WIRE |
| 28 | 12A-6543 | UPPER LEFT BALL GUIDE WIRE |
| 29 | 23A-6300 | RUBBER RING - 5/16" I.D. (10 USED) |
| 30 | 23A-6301 | RUBBER RING - 3/4" I.D. (2 USED) |
| 31 | 23A-6302 | RUBBER RING - 1" I.D. (2 USED) |
| 32 | 23A-6303 | RUBBER RING - 1 1/4" I.D. (3 USED) |
| 33 | 23A-6304 | RUBBER RING - 1 1/2" I.D. (2 USED) |
| 34 | 23A-6306 | RUBBER RING - 2 3/8" I.D. (2 USED) |
| 35 | 23A-6309 | RUBBER RING - 3 7/8" I.D. |
| 36 | 23A-6519-4 | FLIPPER RUBBER - RED |
| 37 | 30C-497 | SET OF 11 PLAYFIELD PLASTICS |
| 38 | 30B-3573-1 | BALL SHOOTER GAUGE PLATE |
| 39 | 30A-7562 | DROP TARGET TAPE (6 USED) |
| 40 | A-4634-H | STAND UP SWITCH ASSEM. (2 USED) |
| 41 | A-4634-J | STAND UP SWITCH ASSEM. (1 USED) |
| 42 | A-4634-K | STAND UP SWITCH ASSEM. (9 USED) |
| 43 | A-5844-35 | ROLLOVER WIRE ASSEM. (6 USED) |
| 44 | A-5844-46 | ROLLOVER WIRE ASSEM. |
| 45 | A-5844-47 | ROLLOVER WIRE ASSEM. (2 USED) |
| 46 | A-6367-3 | DRAINLANE KICKER ASSEM. |
| 47 | B-7472-5L | BALL EJECTOR ASSEM. (2 USED) |
| 48 | B-7472-5R | BALL EJECTOR ASSEM. |
| 49 | B-7473-2 | BOTTOM ARCH ASSEM. |
| 50 | B-7875 | SPINNING TARGET ASSEM. |
| 51 | B-7894 | JET BUMPER ASSEM. (4 USED) |
| 52 | C-8270 | FLIPPER ASSEMBLY-LANE CHANGE
RIGHT |
| 53 | A-8035 | STATIONARY TARGET ASSEM. (7 USED) |
| 54 | B-8055 | BALL KICKER ASSEM. (2 USED) |
| 55 | A-8106-R | FLIPPER RETURN FRAME - RIGHT |
| 56 | C-8230-L | FLIPPER ASSEM. (LEFT) |
| 57 | B-8235 | LONG BALL GUIDE ASSEM. |
| 58 | A-8237 | RIGHT SIDE BALL GUIDE ASSEM. |
| 59 | B-8238 | UPPER RIGHT BALL GUIDE ASSEM. |
| 60 | B-8239 | FLIPPER RETURN FRAME - LEFT |
| 61 | B-8240 | UPPER FAR RIGHT BALL GUIDE ASSEM. |
| 62 | B-8241 | LEFT SIDE BALL GUIDE ASSEM. |
| 63 | C-8242 | UPPER ARCH BALL GUIDE ASSEM. |
| 64 | B-8243 | LOWER LEFT BALL GUIDE ASSEM. |
| 65 | A-8244-L | BALL GATE ASSEM. - LEFT |
| 66 | B-8245 | SHORT BALL GUIDE ASSEM. |
| 67 | A-8253 | STATIONARY TARGET ASSEM. (3 USED) |